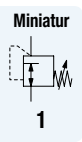


IN-LINE PRESSURE REGULATOR

R33



Description: Adjustable In-line regulator in compact design, available in 3 different pressure control ranges, featuring an outlet pressure tolerance of approx. $\pm 30\%$.

Application

- Reduction of supply pressure to protect associated components
- Cost reduction through substantially reduced air consumption
- Noise reduction and lifetime extension of tools due to lower inlet pressure

Medium compressed air

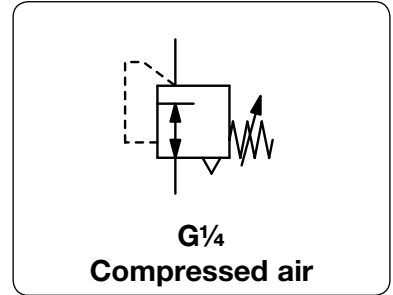
Supply pressure max. 10 bar. The device is inlet pressure dependent (see diagram).

Adjustment Select the pressure regulator according to the desired outlet pressure can be varied within that range

Relieving function relieving

Temperaturbereich 0 °C to 60 °C

Material Body: aluminium
Elastomer: NBR/Buna-N

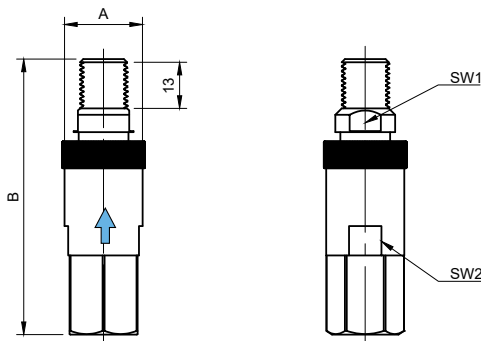


Dimensions				Flow-rate	Supply pressure	Connection thread	Pressure range	Order number
ØA	B	SW1	SW2	l/min ^{*1}	max. bar	G	bar	
mm	mm	mm	mm					

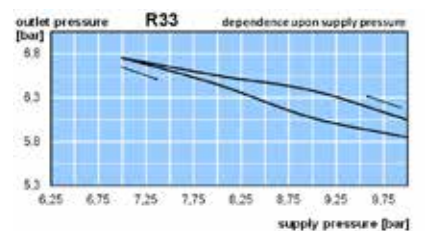
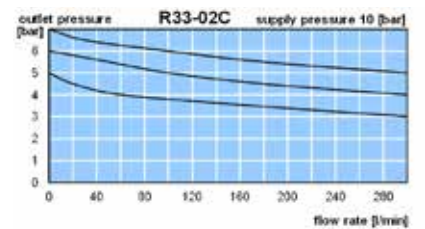
In-Line Pressure regulator					Supply pressure max. 10 bar	R33		
22	77	14	19	300	10	G¼	1 ... 3	R33-02A
							3 ... 6	R33-02B
							5 ... 8	R33-02C



R33-02A



R33



*1 at 10 bar pressure range and $\Delta p = 2,0$ bar

* Product group

